

NIKON®

MURA
STREET LANTERN
SERIES



ACHIEVING LIVABLE CITY ENVIRONMENT



NIKKON®

MURA S STREET LANTERN



MURA S-30W / 50W



LUMINAIRE SPECIFICATIONS

- Power 30W / 50W
- Fitting Material Non-Corrosive-Die Cast Aluminium
- Fitting Color Dark Grey, RAL7012
- Optical Cover Clear Tempered Glass
- Ingress Protection IP65
- Impact Protection IK08
- Voltage 220-240Vac 50 / 60Hz
- Electrical Safety Class Class 1
- Operating Temperature -30 ~ +45°C
- Installation Pole Top, Side Entry Ø48mm
- Surge Protection 10KV, 20KA
- Beam Angle 150° x 80° / Type II

LED MODULE SPECIFICATIONS

- LED Chips LUMILEDS 3030 2D
- Color Temperature 3000K, 4000K, 6500K
- Color Rendering Index (CRI) >70
- L70 100,000 Hrs @ 25°C
- PCB Material Metal Core

COMPLIANCE STANDARD

- LED LM80, UL, RoHS
- Driver CE, EN62493, EN61347, EN50581, EN55015, EN61000, EN61547, EN62384

APPLICATION

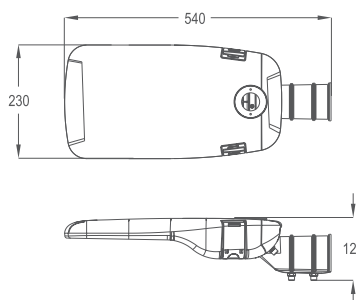
- Pathways, Foot Paths, Parks, Car Parks, Access Ways, Road Lightings, Residential Areas

MEASUREMENT & ORDER CODE

WATTAGE	TYPICAL FLUX, LM	TYPICAL WATTAGE
30W	3900	32W
50W	6500	53W

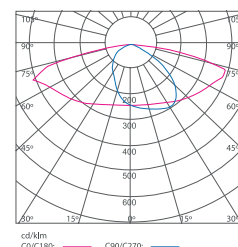
DIMENSION

MURA S-30W / 50W



PHOTOMETRIC

MURA S-30W / 50W



cd/ftm
C0/C180: C90/C270:

NIKKON®

MURA M STREET LANTERN



MURA M-80W / 100W



LUMINAIRE SPECIFICATIONS

- Power 80W / 100W
- Fitting Material Non-Corrosive-Die Cast Aluminium
- Fitting Color Dark Grey, RAL7012
- Optical Cover Clear Tempered Glass
- Ingress Protection IP65
- Impact Protection IK08
- Voltage 220-240Vac 50 / 60Hz
- Electrical Safety Class Class 1
- Operating Temperature -30 ~ +45°C
- Installation Pole Top, Side Entry Ø48mm
- Surge Protection 10KV, 20KA
- Beam Angle 150° x 80° / Type II

LED MODULE SPECIFICATIONS

- LED Chips LUMILEDS 3030 2D
- Color Temperature 3000K, 4000K, 6500K
- Color Rendering Index (CRI) >70
- L70 100,000 Hrs @ 25°C
- PCB Material Metal Core

COMPLIANCE STANDARD

- LED LM80, UL, RoHS
- Driver CE, EN62493, EN61347, EN50581, EN55015, EN61000, EN61547, EN62384

APPLICATION

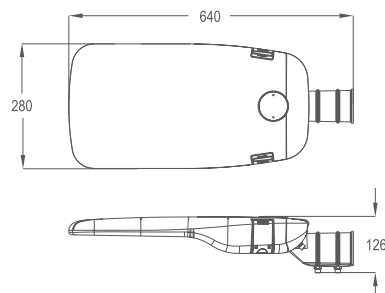
- Pathways, Foot Paths, Parks, Car Parks, Access Ways, Road Lightings, Residential Areas

MEASUREMENT & ORDER CODE

WATTAGE	TYPICAL FLUX, LM	TYPICAL WATTAGE
80W	9600	84W
100W	12000	105W

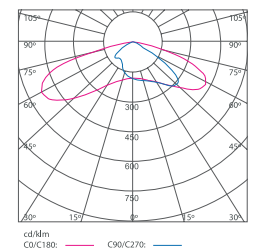
DIMENSION

MURA M-80W / 100W



PHOTOMETRIC

MURA M-80W / 100W



NIKKON®

MURA L STREET LANTERN



MURA L-120W / 150W



LUMINAIRE SPECIFICATIONS

- Power 120W / 150W
- Fitting Material Non-Corrosive-Die Cast Aluminium
- Fitting Color Dark Grey, RAL7012
- Optical Cover Clear Tempered Glass
- Ingress Protection IP65
- Impact Protection IK08
- Voltage 220-240Vac 50 / 60Hz
- Electrical Safety Class Class 1
- Operating Temperature -30 ~ +45°C
- Installation Pole Top, Side Entry Ø48mm
- Surge Protection 10KV, 20KA
- Beam Angle 150° x 80° / Type II

LED MODULE SPECIFICATIONS

- LED Chips LUMILEDS 3030 2D
- Color Temperature 3000K, 4000K, 6500K
- Color Rendering Index (CRI) >70
- L70 100,000 Hrs @ 25°C
- PCB Material Metal Core

COMPLIANCE STANDARD

- LED LM80, UL, RoHS
- Driver CE, EN62493, EN61347, EN50581, EN55015, EN61000, EN61547, EN62384

APPLICATION

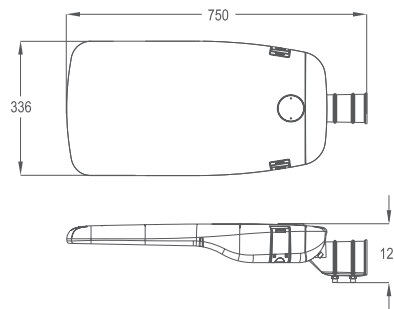
- Pathways, Foot Paths, Parks, Car Parks, Access Ways, Road Lightings, Residential Areas

MEASUREMENT & ORDER CODE

WATTAGE	TYPICAL FLUX, LM	TYPICAL WATTAGE
120W	15600	126W
150W	19500	158W

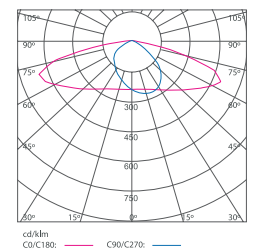
DIMENSION

MURA L-120W / 150W



PHOTOMETRIC

MURA L-120W / 150W



NIKKON[®]

HEADQUARTERS, MALAYSIA

SUCCESS ELECTRONICS & TRANSFORMER MANUFACTURER SDN. BHD.

Hotline within Malaysia: 1 300 88 2788

Tel : +603 6279 2800

Fax : +603 6157 2722 / 2723

Website : www.success.com.my
www.nikonlighting.com

Sales Enquiry

Domestic: marketing@success.com.my

Overseas: export@success.com.my

GLOBAL NETWORKS

Singapore

NIKKON LIGHTING & ELECTRICAL PTE. LTD.

Tel : +65 67 42 4377

Fax : +65 67 42 4366

Email : enquiry@nikkonlighting.com.sg

Website : www.nikonlighting.com.sg

Indonesia

PT BOXON NIKKON JAYAINDO

Tel : +62 21 2907 0438

Fax : +62 21 2907 0439

Email : marketing@nikkonlighting.co.id

Website : www.nikonlighting.co.id

Thailand

NIKKON LIGHTING (THAILAND) CO., LTD.

Tel : (66-2) 631 2066

Fax : (66-2) 631 2990

Email : export@success.com.my

Website : www.nikonlighting.co.th



www.nikonlighting.com

NIKKON[®] is a registered trademark of Success Electronics & Transformer Manufacturer Sdn. Bhd. (SUCCESS) in Malaysia and other countries. SUCCESS is a private limited company wholly owned by Success Transformer Corporation Berhad (STC). The company is incorporated in Malaysia with business registration number 200853-K since 1980. SUCCESS is focusing in design, fabricate and distribute of lighting, transformer & electrical equipment and having its principal place of business at No. 3, 5 & 7, Jalan TSB 8, Taman Industri Sungai Buloh, 47000 Sungai Buloh, Selangor Darul Ehsan, West Malaysia. Company website: www.success.com.my / Corporate website: www.stcgroup.com.my.